

Spire® 200

Beacon



FEATURES

- Versatile warning beacon for a variety of vehicle applications
- Short and tall domes available
- Single- and dual-color models
- (25) flash patterns
- Multi-voltage, 12/24 Vdc
- Variety of mounting solutions available; including permanent 1" pipe mounts, temporary suction-cup, and magnet mounts
- Five-year warranty

APPROVALS

- SAE J845 Class 1 (Amber, Blue, Red, White)
- SAE J845 Class 3 (Green)
- IP69K

FS TECHNOLOGIES



A Durable Light Beacon with Diverse Capabilities

Spire® 200 LED Beacon is durable, powerful, and packed with diverse capabilities. This light beacon provides 360-degrees of warning light through its unique patented optical designs and is available in single- and dual-color models consisting of Amber, Blue, Green, Red, and White. It is available in both tall and short models, as well as a variety of permanent and temporary mounting solutions, ensuring that there is an appropriate configuration for almost any work truck application.

This truck beacon was designed to withstand the adverse conditions faced on the road, job site, and car wash, and offers maximum protection against dust and water, proven by its IP69K rating. For those seeking even greater protection for their LED beacon, easy-to-install branch guards can also be added to your beacon. Rugged durability makes the Spire 200 an ideal work truck beacon, capable of performing regardless of conditions.

The Spire 200 beacon light provides a number of additional capabilities that set it above its counterpart, the Spire 100. Spire 200 beacon comes equipped with FSLink™ syncing technology, which allows you to synchronize the flash patterns of this beacon with any other Federal Signal FSLink products that you utilize, providing a powerful, unified cautionary message to other vehicles on the roadway. The Spire 200 is equipped with Federal Signal's exclusive SpectraLux® multicolor LED technology that provides the ability for a light head to change color while in operation.

Both tall and short models of Amber, Blue, Red, and White light beacons are all SAE J845 Class 1 approved, making them an excellent light beacon both in terms of safety and regulatory compliance. The Spire 200 LED beacon's versatility, durability, and performance make it an ideal beacon light for a wide range of industries that include towing, construction, utility/maintenance, landscaping, tree trimming, and countless others.



HOW TO ORDER

LED Color Dome Color
A B G R W A B C G R

SINGLE-COLOR, SHORT DOME

1-INCH PIPE MOUNT

200SC-A	Amber LEDs, Amber dome
200SC-B	Blue LEDs, Blue dome
200SC-G	Green LEDs, Green dome
200SC-R	Red LEDs, Red dome
200SC-W	White LEDs, Clear dome

POLYCARBONATE PERMANENT/ 1-INCH PIPE MOUNT

200SP-A	Amber LEDs, Amber dome
200SP-B	Blue LEDs, Blue dome
200SP-G	Green LEDs, Green dome
200SP-R	Red LEDs, Red dome
200SP-W	White LEDs, Clear dome

DIE-CAST PERMANENT/1-INCH PIPE MOUNT

200SDDC-A	Amber LEDs, Amber dome, dust cover
200SD-A	Amber LEDs, Amber dome
200SD-B	Blue LEDs, Blue dome
200SD-G	Green LEDs, Green dome
200SD-R	Red LEDs, Red dome
200SD-W	White LEDs, Clear dome

MAGNET MOUNT, ACCESSORY PLUG

200SM-A	Amber LEDs, Amber dome
200SM-B	Blue LEDs, Blue dome
200SM-G	Green LEDs, Green dome
200SM-R	Red LEDs, Red dome
200SM-W	White LEDs, Clear dome

SUCTION-CUP MAGNET MOUNT, ACCESSORY PLUG

200SS-A	Amber LEDs, Amber dome
200SS-B	Blue LEDs, Blue dome
200SS-G	Green LEDs, Green dome
200SS-R	Red LEDs, Red dome
200SS-W	White LEDs, Clear dome

SINGLE-COLOR, TALL DOME

1-INCH PIPE MOUNT

200TC-A	Amber LEDs, Amber dome
200TC-B	Blue LEDs, Blue dome
200TC-G	Green LEDs, Green dome
200TC-R	Red LEDs, Red dome
200TC-W	White LEDs, Clear dome

POLYCARBONATE PERMANENT/1-INCH PIPE MOUNT

200TP-A	Amber LEDs, Amber dome
200TP-B	Blue LEDs, Blue dome
200TP-G	Green LEDs, Green dome
200TP-R	Red LEDs, Red dome
200TP-W	White LEDs, Clear dome

DIE-CAST PERMANENT/1-INCH PIPE MOUNT

200TDDC-A	Amber LEDs, Amber dome, dust cover
200TD-A	Amber LEDs, Amber dome
200TD-B	Blue LEDs, Blue dome
200TD-G	Green LEDs, Green dome
200TD-R	Red LEDs, Red dome
200TD-W	White LEDs, Clear dome

MAGNET MOUNT, ACCESSORY PLUG

200TM-A	Amber LEDs, Amber dome
200TM-B	Blue LEDs, Blue dome
200TM-G	Green LEDs, Green dome
200TM-R	Red LEDs, Red dome
200TM-W	White LEDs, Clear dome

SUCTION-CUP MAGNET MOUNT, ACCESSORY PLUG

200TS-A	Amber LEDs, Amber dome
200TS-B	Blue LEDs, Blue dome
200TS-G	Green LEDs, Green dome
200TS-R	Red LEDs, Red dome
200TS-W	White LEDs, Clear dome



Pipe Mount Base



Metal Base



Plastic Base



Magnet Base



Suction-Cup Magnet Base


DUAL-COLOR, SHORT DOME
1-INCH PIPE MOUNT

220SC-AB	Amber/Blue LEDs, Clear dome
220SC-AG	Amber/Green LEDs, Clear dome
220SC-AR	Amber/Red LEDs, Clear dome
220SC-AW	Amber/White LEDs, Clear dome

POLYCARBONATE PERMANENT/1-INCH PIPE MOUNT

220SP-AB	Amber/Blue LEDs, Clear dome
220SP-AG	Amber/Green LEDs, Clear dome
220SP-AR	Amber/Red LEDs, Clear dome
220SP-AW	Amber/White LEDs, Clear dome

DIE-CAST PERMANENT/1-INCH PIPE MOUNT

220SD-AB	Amber/Blue LEDs, Clear dome
220SD-AG	Amber/Green LEDs, Clear dome
220SD-AR	Amber/Red LEDs, Clear dome
220SD-AW	Amber/White LEDs, Clear dome

MAGNET MOUNT, ACCESSORY PLUG

220SM-AB	Amber/Blue LEDs, Clear dome
220SM-AG	Amber/Green LEDs, Clear dome
220SM-AR	Amber/Red LEDs, Clear dome
220SM-AW	Amber/White LEDs, Clear dome

SUCTION-CUP MAGNET MOUNT, ACCESSORY PLUG

220SS-AB	Amber/Blue LEDs, Clear dome
220SS-AG	Amber/Green LEDs, Clear dome
220SS-AR	Amber/Red LEDs, Clear dome
220SS-AW	Amber/White LEDs, Clear dome

ACCESSORIES

200B-TALL	Branch guard, tall
200B-SHORT	Branch guard, short
200DC-TALL	Dust cover, tall
200DC-SHORT	Dust cover, short

DUAL-COLOR, TALL DOME
1-INCH PIPE MOUNT

220TC-AB	Amber/Blue LEDs, Clear dome
220TC-AG	Amber/Green LEDs, Clear dome
220TC-AR	Amber/Red LEDs, Clear dome
220TC-AW	Amber/White LEDs, Clear dome

POLYCARBONATE PERMANENT/1-INCH PIPE MOUNT

220TP-AB	Amber/Blue LEDs, Clear dome
220TP-AG	Amber/Green LEDs, Clear dome
220TP-AR	Amber/Red LEDs, Clear dome
220TP-AW	Amber/White LEDs, Clear dome

DIE-CAST PERMANENT/1-INCH PIPE MOUNT

220TD-AB	Amber/Blue LEDs, Clear dome
220TD-AG	Amber/Green LEDs, Clear dome
220TD-AR	Amber/Red LEDs, Clear dome
220TD-AW	Amber/White LEDs, Clear dome

MAGNET MOUNT, ACCESSORY PLUG

220TM-AB	Amber/Blue LEDs, Clear dome
220TM-AG	Amber/Green LEDs, Clear dome
220TM-AR	Amber/Red LEDs, Clear dome
220TM-AW	Amber/White LEDs, Clear dome

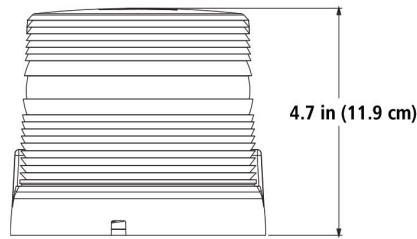
SUCTION-CUP MAGNET MOUNT, ACCESSORY PLUG

220TS-AB	Amber/Blue LEDs, Clear dome
220TS-AG	Amber/Green LEDs, Clear dome
220TS-AR	Amber/Red LEDs, Clear dome
220TS-AW	Amber/White LEDs, Clear dome

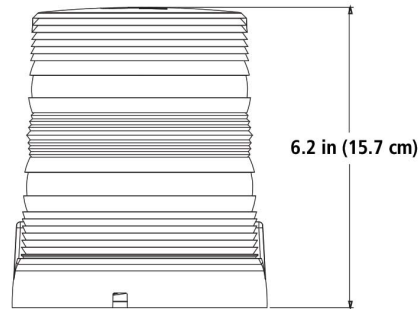
SPECIFICATIONS

	TALL PIPE MOUNT BASE	TALL PERMANENT MOUNT BASE	SHORT PIPE MOUNT BASE	SHORT PERMANENT MOUNT BASE
CURRENT DRAW			2 A	
OPERATING VOLTAGE			12/24 Vdc	
FLASH PATTERNS			25	
OPERATING TEMP			-40° to +176°F (-40° to +80°C)	
PHYSICAL SPECIFICATIONS				
HEIGHT	6.2 in (15.7 cm)	7.1 in (18.0 cm)	4.7 in (11.9 cm)	5.6 in (14.2 cm)
DIAMETER	5.2 in (13.2 cm)	6.5 in (16.5 cm)	5.2 in (13.2 cm)	6.5 in (16.5 cm)
SHIP WEIGHT	1.5 lb (0.7 kg)	2.3 lb (1.0 kg)*	1.3 lb (0.6 kg)	2.1 lb (1.0 kg)*

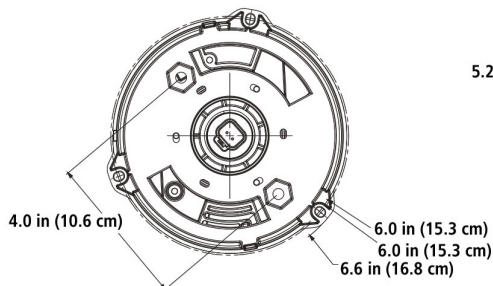
*Die-Cast Permanent Mount Base



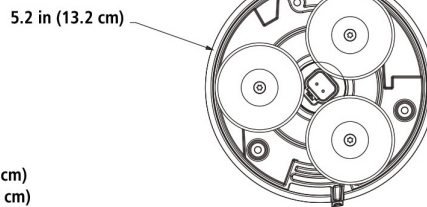
Short Pipe Mount Base



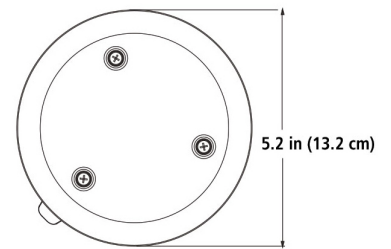
Tall Pipe Mount Base



Permanent Base
(Polycarbonate or Die-Cast)



Magnet Mount Base



Suction-Cup Magnet Base



Spire, SpectraLux, and FSLink are trademarks of Federal Signal Corporation. | Patent #10, 030, 826