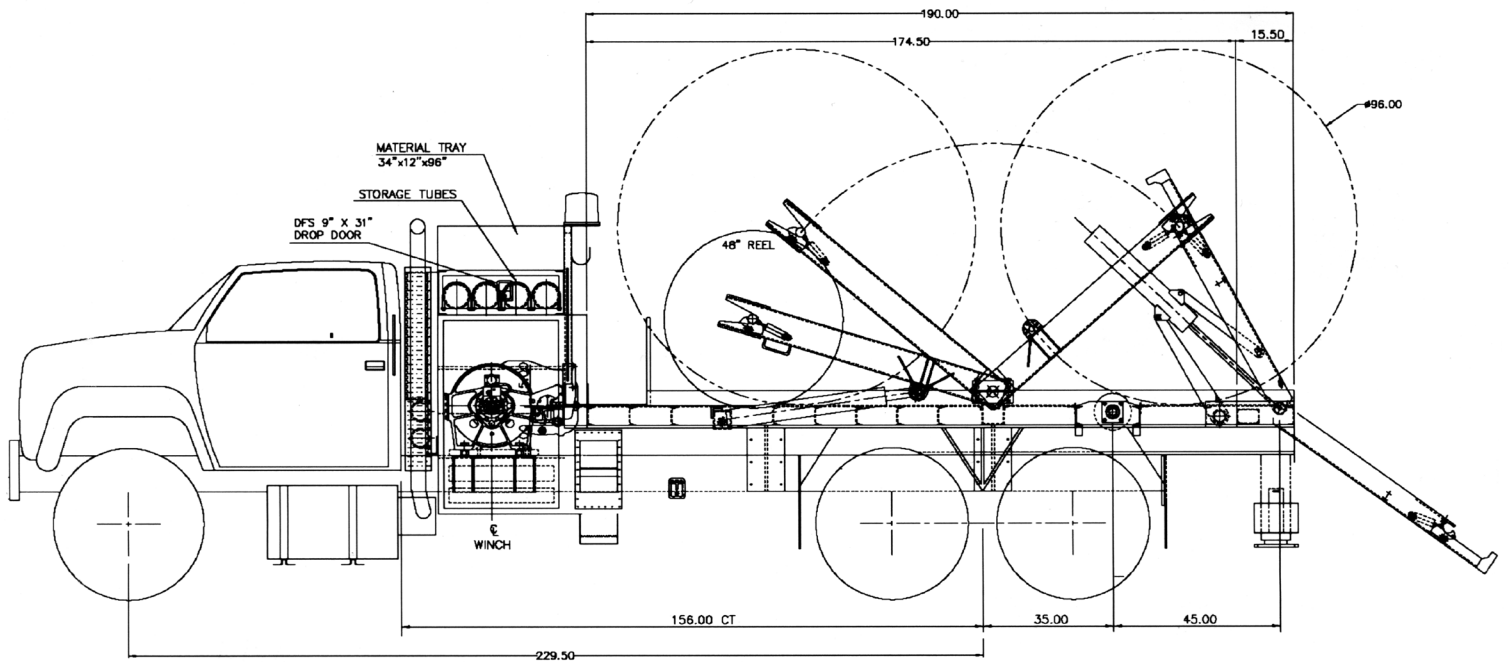


REEL LOADERS



Reel loaders from 4,000 lbs. to 12,000 lbs. single and dual reeloaders available.

Simple design that helps elevate your bottom line.



We Build Solutions

WWW.SMFTRUCK.COM

1226 Little Gap Rd., Palmerton, PA 18071

(610) 824-7000

ISO 9001:2015

Veteran-Owned

Made in America



REEL LOADERS

General Specifications:

Self-Contained Reel Loaders

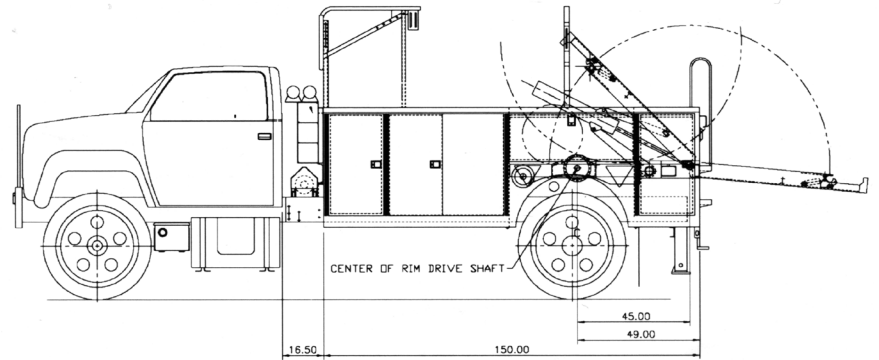
Reel Diameter: 24" to 96"

Reel Width: 38" to 83"

Reel Capacity: 4,000 lbs. to 12,000 lbs.

Power Pack (with 12-Volt Electric Over Hydraulic or PTO Driven Hydraulic System)

Spinal Bar with Reel Spacers and Clamps



Call the office to size the chassis to the equipment for desired performance!

Standard Equipment

Rod Fed Cylinders
No Hoses Exposed in Area of the Lift Arms
270 Degrees of Rotation
Toggle Link / Double Cylinders
Single and Double Reel Loaders 4,000 lbs. to 12,000 lbs.
Can use a Pintle Hook with Modular Design

Optional Equipment

Hydraulic Spindle Bar Locks
Rim Drive with Reversible Direction



We Build Solutions

For more information, visit us at

WWW.SMFTRUCK.COM

1226 Little Gap Rd., Palmerton, PA 18071

(610) 824-7000

NOTE—All aerial units designed in accordance with ANSI A92.2 specifications

—Specifications are subject to change without notice.

—All photographs and illustrations represented in this literature are for informational purposes only